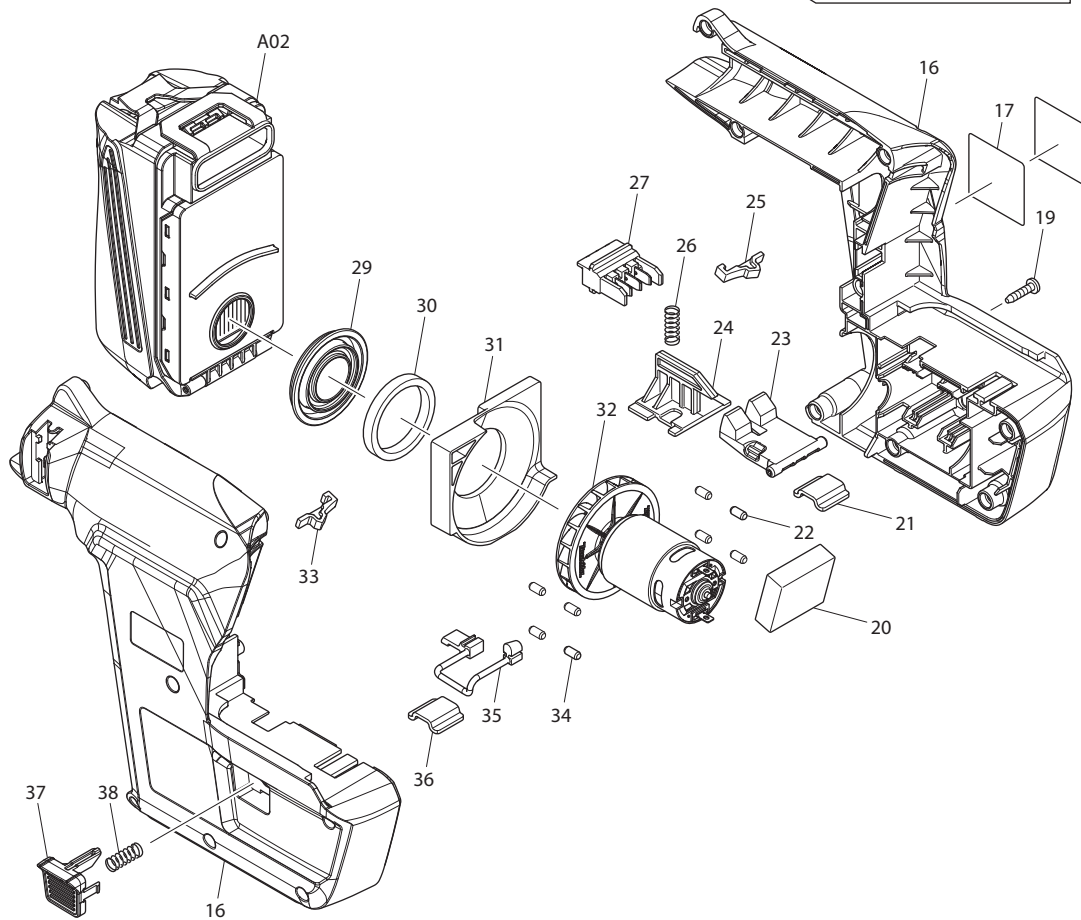
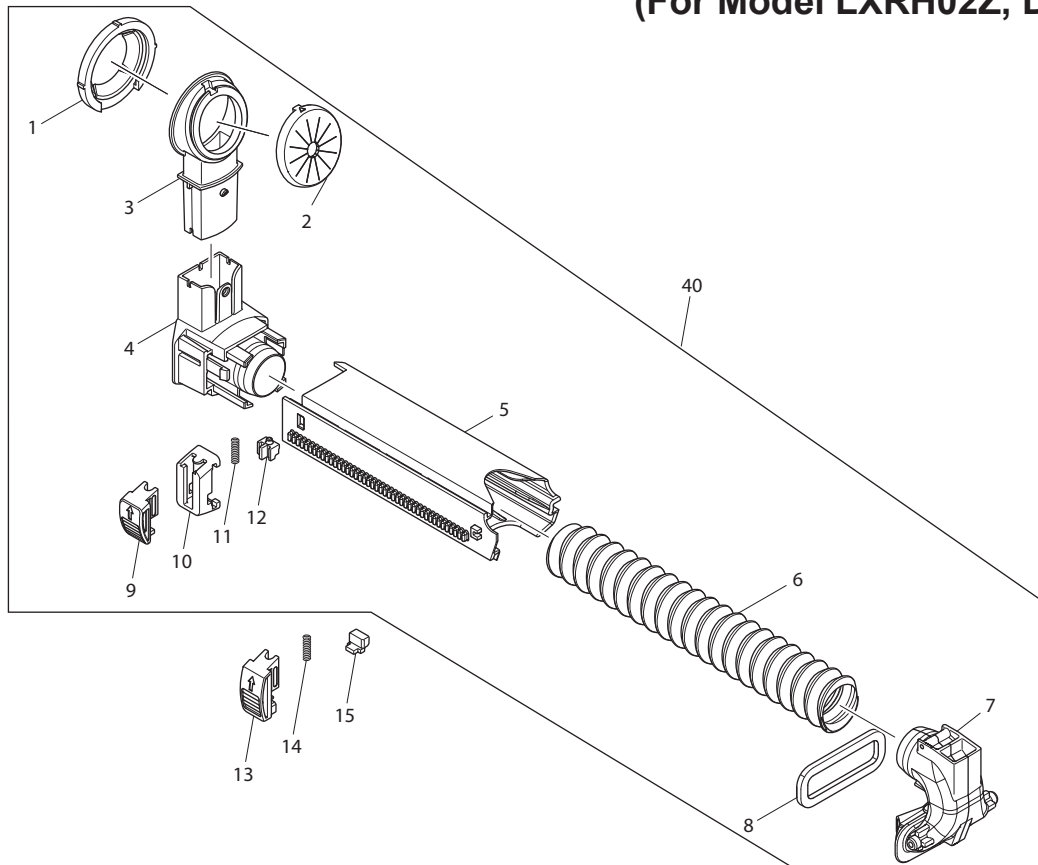




04 - 2012

DX02

# DUST EXTRACTION SYSTEM (For Model LXRH02Z, DHR243Z)



| Item No. |      | Part No. | Description          | Qty | Unit |
|----------|------|----------|----------------------|-----|------|
| 1        | 1    | 424480-0 | * FITTING RUBBER     | 1   | PC.  |
|          | 2    | 424722-2 | * FITTING RUBBER     | 1   | PC.  |
| 2        |      | 424474-5 | SEALING CAP          | 1   | PC.  |
| 3        | 1    | 453136-8 | * COLLECTOR          | 1   | PC.  |
|          | 2    | 455736-0 | * COLLECTOR          | 1   | PC.  |
| 4        | 1    | 453135-0 | * COLLECTOR BASE B   | 1   | PC.  |
|          | 2    | 454579-7 | * COLLECTOR BASE B   | 1   | PC.  |
| 5        | 1    | 453137-6 | * SLIDE PIPE         | 1   | PC.  |
|          | 2    | 454580-2 | * SLIDE PIPE         | 1   | PC.  |
| 6        |      | 245038-0 | HOSE 30              | 1   | PC.  |
| 7        | 1    | 453138-4 | INNER PIPE           | 1   | PC.  |
|          | 2    | 456017-5 | INNER PIPE           | 1   | PC.  |
| 8        |      | 423425-5 | SPONGE SHEET B       | 1   | PC.  |
| 9        |      | 453141-5 | SLIDE LEVER A        | 1   | PC.  |
| 10       |      | 453140-7 | STOPPER BASE         | 1   | PC.  |
| 11       |      | 234227-2 | COMPRESSION SPRING 3 | 1   | PC.  |
| 12       |      | 453702-1 | RACK A               | 1   | PC.  |
| 13       |      | 453142-3 | SLIDE LEVER B        | 1   | PC.  |
| 14       |      | 234227-2 | COMPRESSION SPRING 3 | 1   | PC.  |
| 15       |      | 453139-2 | RACK B               | 1   | PC.  |
| 16       |      | 187304-8 | HOUSING SET          | 1   | PC.  |
| 17       |      | 896812-5 | NAME PLATE F/DX02    | 1   | PC.  |
| 18       |      | 890995-3 | CLEAR LABEL          | 1   | PC.  |
| 19       |      | 266326-2 | TAPPING SCREW 4X18   | 8   | PC.  |
| 20       |      | 638956-3 | CONTROLLER UNIT      | 1   | PC.  |
|          | INC. | 654069-2 | RECEPTACLE           | 2   | PC.  |
|          | INC. | 654281-4 | RECEPTACLE           | 3   | PC.  |
| 21       |      | 346539-2 | GUIDE PLATE          | 1   | PC.  |
| 22       |      | 263025-7 | RUBBER PIN 4         | 4   | PC.  |
| 23       |      | 453146-5 | HOOK                 | 1   | PC.  |
| 24       |      | 453144-9 | LIFT PLATE           | 1   | PC.  |
| 25       |      | 424475-3 | CUSHION              | 1   | PC.  |
| 26       |      | 234228-0 | COMPRESSION SPRING 6 | 1   | PC.  |
| 27       |      | 638931-9 | CONNECTOR            | 1   | PC.  |
| 29       |      | 453171-6 | FILTER PLATE         | 1   | PC.  |
| 30       |      | 423427-1 | SPONGE SHEET C       | 1   | PC.  |
| 31       |      | 453143-1 | BAFFLE PLATE         | 1   | PC.  |
| 32       |      | 141163-4 | MOTOR COMPLETE       | 1   | PC.  |
| 33       |      | 424475-3 | CUSHION              | 1   | PC.  |
| 34       |      | 263025-7 | RUBBER PIN 4         | 4   | PC.  |
| 35       |      | 424486-8 | EARTH RUBBER         | 1   | PC.  |
| 36       |      | 346539-2 | GUIDE PLATE          | 1   | PC.  |
| 37       |      | 453145-7 | PUSH BUTTON          | 1   | PC.  |
| 38       |      | 234228-0 | COMPRESSION SPRING 6 | 1   | PC.  |
| 40       | 1    | 135518-3 | * SLIDE PIPE ASS'Y   | 1   | PC.  |
|          | INC. |          | Item No. 1-12        |     |      |
|          | 2    | 135566-2 | * SLIDE PIPE ASS'Y   | 1   | PC.  |
|          | INC. |          | Item No. 1-12        |     |      |
|          | 3    | 135672-3 | SLIDE PIPE ASS'Y     | 1   | PC.  |
|          | INC. |          | Item No. 1-12        |     |      |
|          | 4    | 135697-7 | SLIDE PIPE ASS'Y     | 1   | PC.  |
|          | INC. |          | Item No. 1-12        |     |      |
| C01      |      | 872975-1 | CARTON F/DX02        | 1   | PC.  |

| Item No.                  | Part No.         | Description   | Qty | Unit |
|---------------------------|------------------|---------------|-----|------|
| <b><u>ACCESSORIES</u></b> |                  |               |     |      |
| A01                       | 424474-5         | SEALING CAP   | 5   | PC.  |
| A02                       | 196162-1         | DUST CASE SET | 1   | PC.  |
|                           | INC. 19 196164-7 | FILTER SET    | 1   | PC.  |
|                           | INC. 19 453150-4 | FILTER COVER  | 1   | PC.  |

**SERVICE CHANGES**

**1. Changes on Slide Pipe Assy**

(TI# 99363 )

(TI#A6905)

(TI# A9260 )

| Item No. | Description         | Type 1   | Type 2   | Type 3   | Type 4   |
|----------|---------------------|----------|----------|----------|----------|
| 40       | SLIDE PIPE ASSEMBLY | 135518-3 | 135566-2 | 135672-3 | 135697-7 |
| 1        | FITTING RUBBER      |          | 424480-0 |          | 424722-2 |
| 3        | COLLECTOR           |          | 453136-8 |          | 455736-0 |
| 4        | COLLECTOR BASE A    | 453135-0 |          | 454579-7 |          |
| 5        | SLIDE PIPE          | 453137-6 |          | 454580-2 |          |
| 7        | INNER PIPE          |          | 453138-4 |          | 456017-5 |

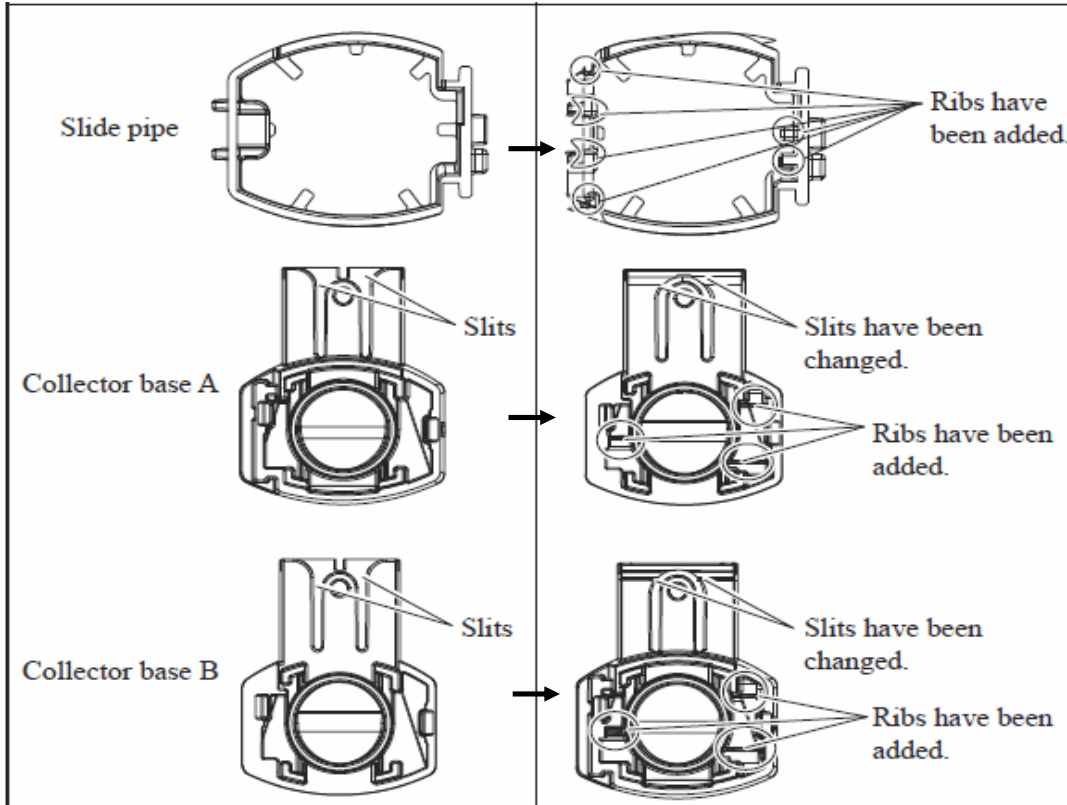
Item No.1, 3, 4 - 7 are component of Item No. 40 Slide Pipe Assy

Above parts are completely interchangeable as a set.

**Type 1**

**Type 2**

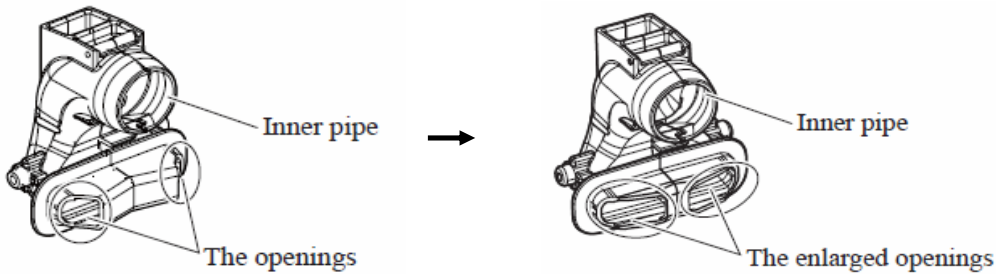
(TI# 99363 )



**Type 2**

**Type 3**

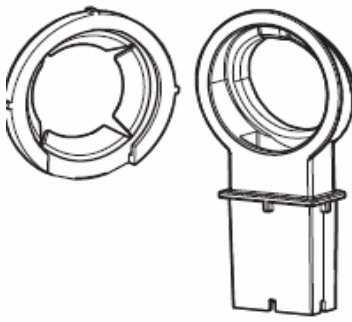
(TI#A6905)



**Type 3**

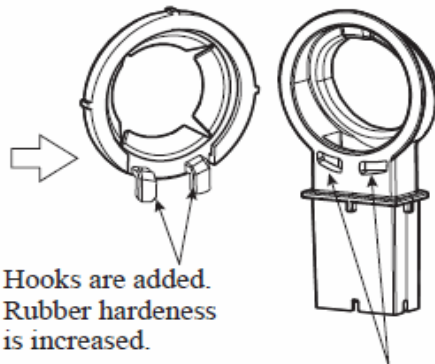
Fitting rubber

Collector



**Type 4**

(TI# A9260 )



Hooks are added.  
Rubber hardness  
is increased.

Square holes are added.

Insert the hooks of Fitting rubber  
into the square holes of Collector,  
and then turn Fitting rubber.

